

..... 3

..... 3

..... 3

..... 3

..... 3

..... 5

..... 5

..... 7

..... 10

..... 10

..... 10

..... 10

..... 11

..... 11

4 11

..... 12

..... 13

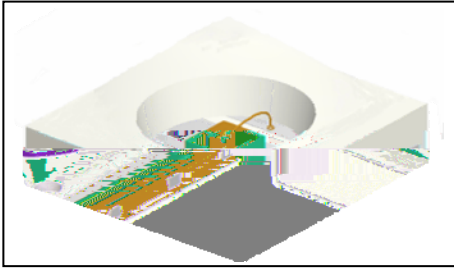
..... 14

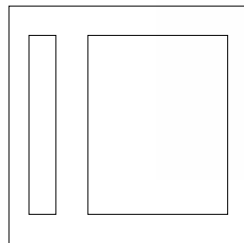
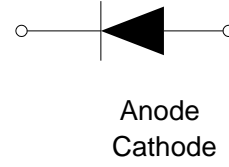
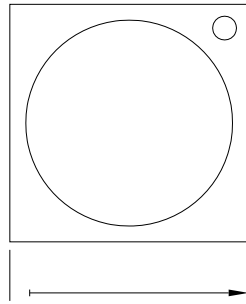
..... 14

..... 16



General Description







± 0.1V.

2 / ± 10%

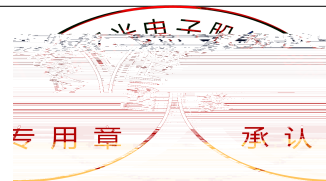
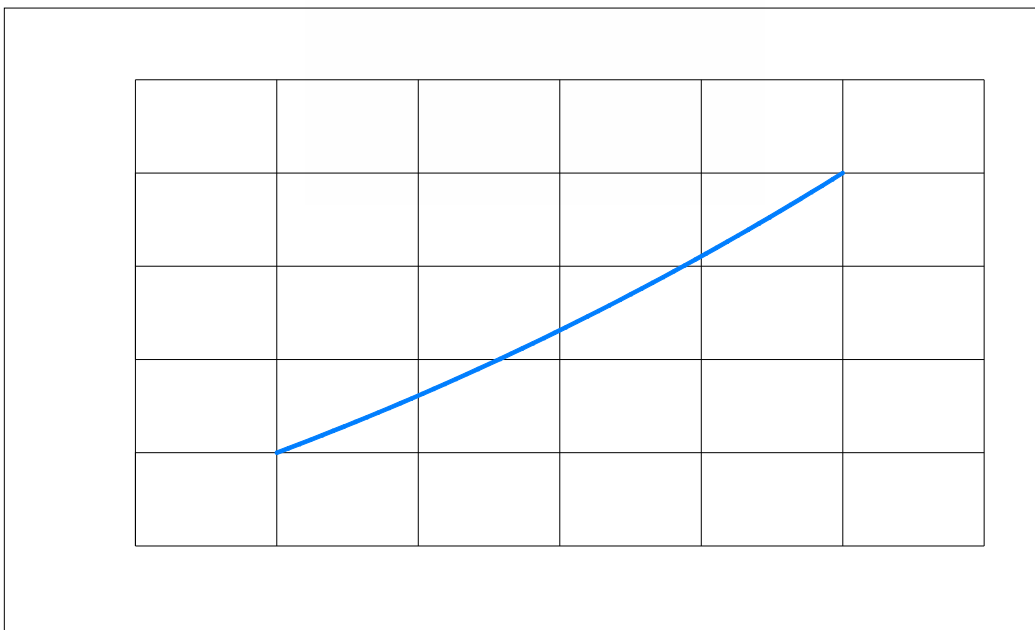
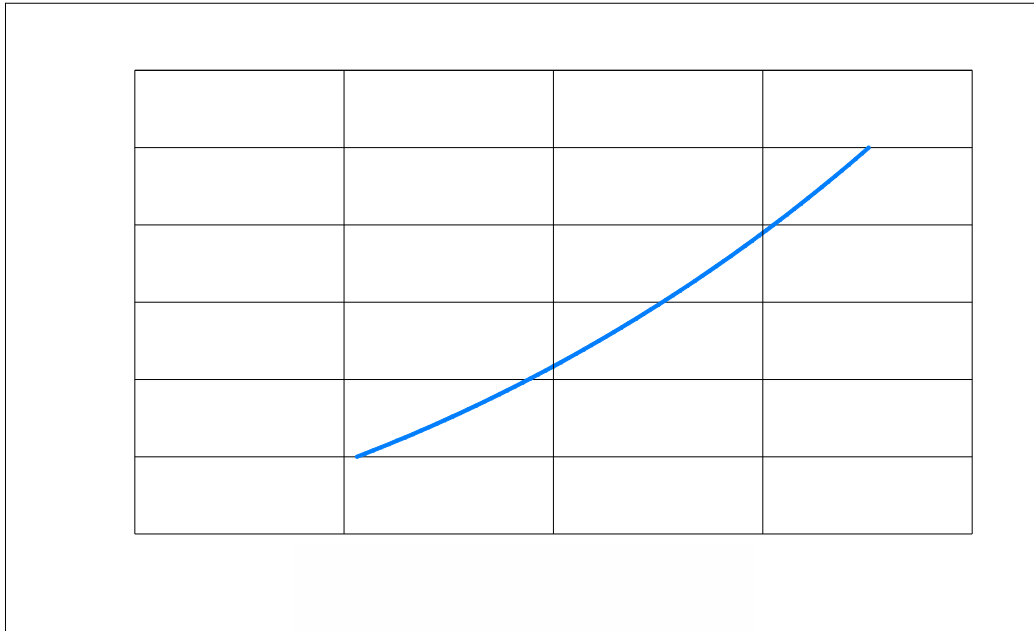
p»

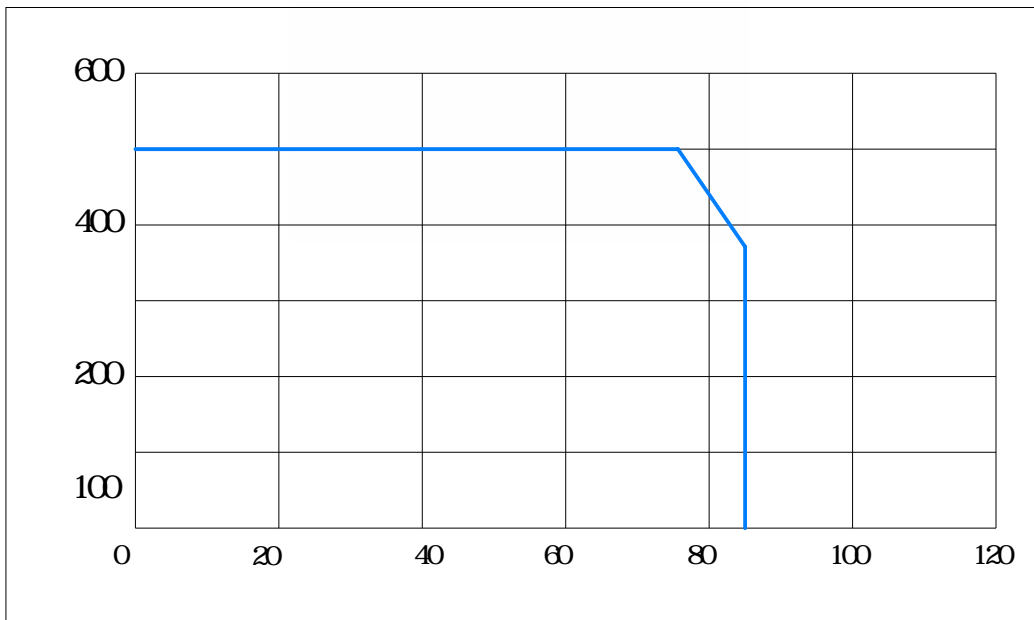
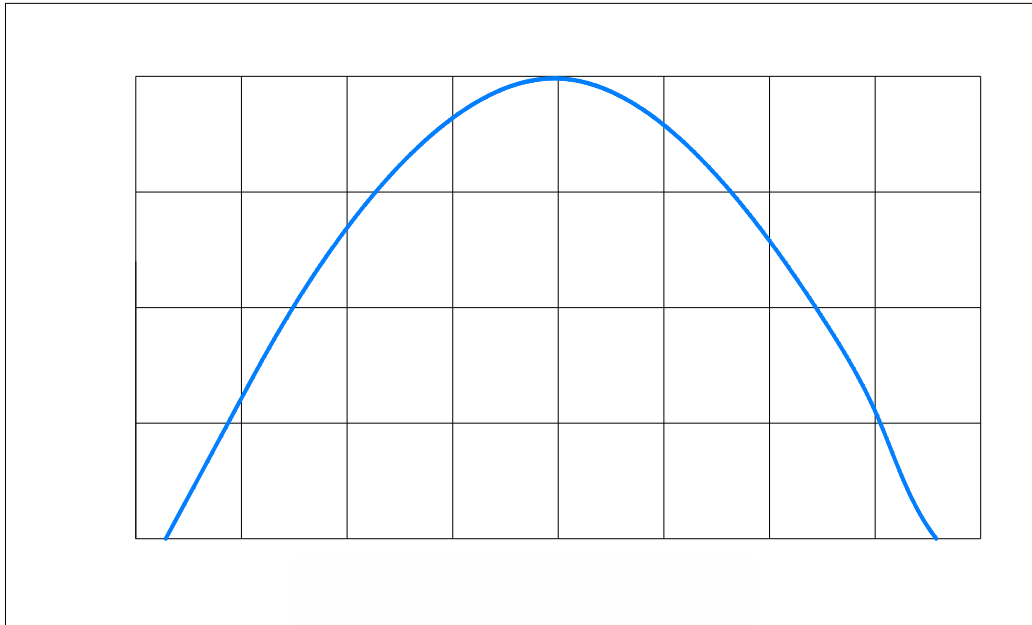
. LED

ESD2000V ,

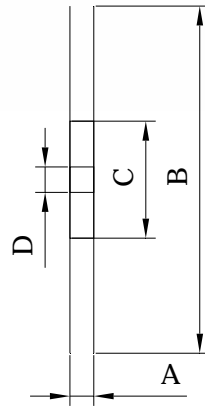
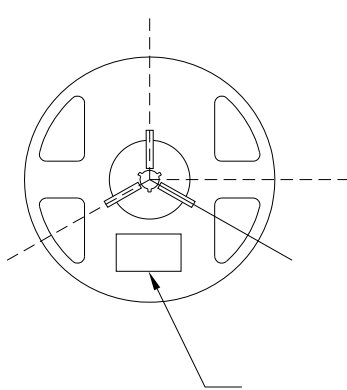
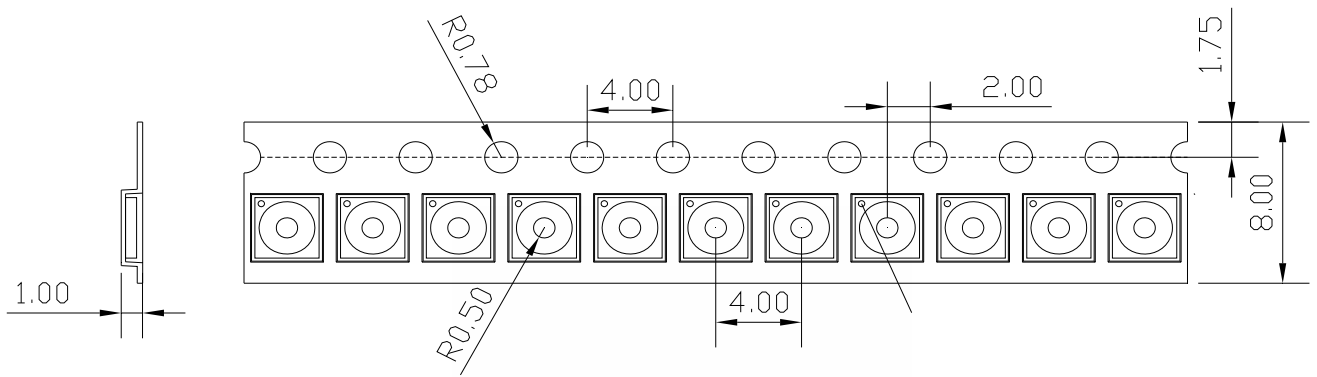
90% LED



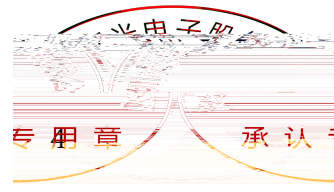
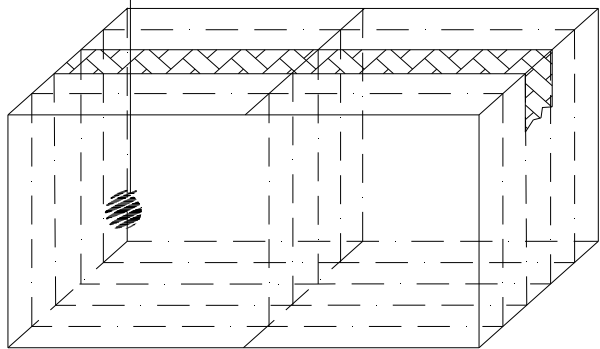
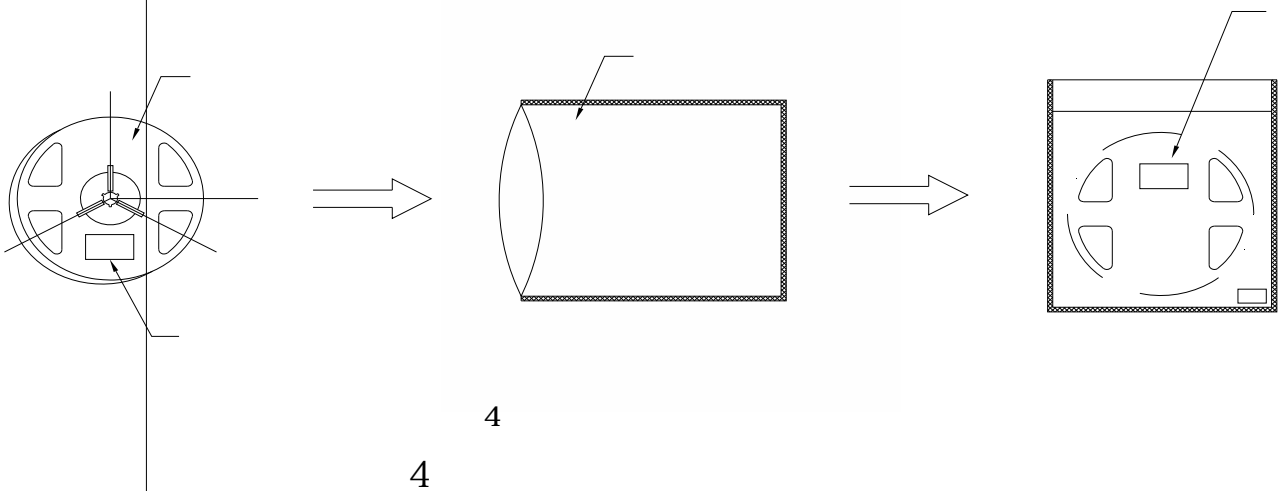




5000pcs

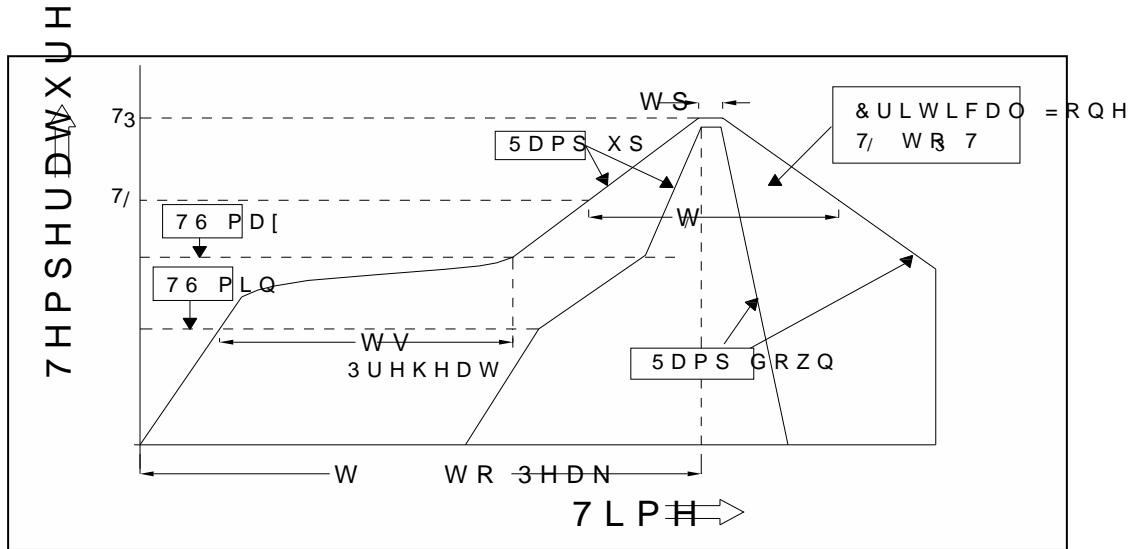














24

LED

W

300

3

(2)

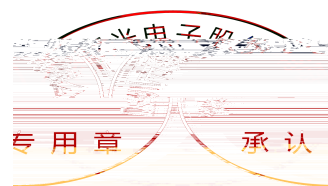


LED

(1)

LED

PCB



LED

100PPM

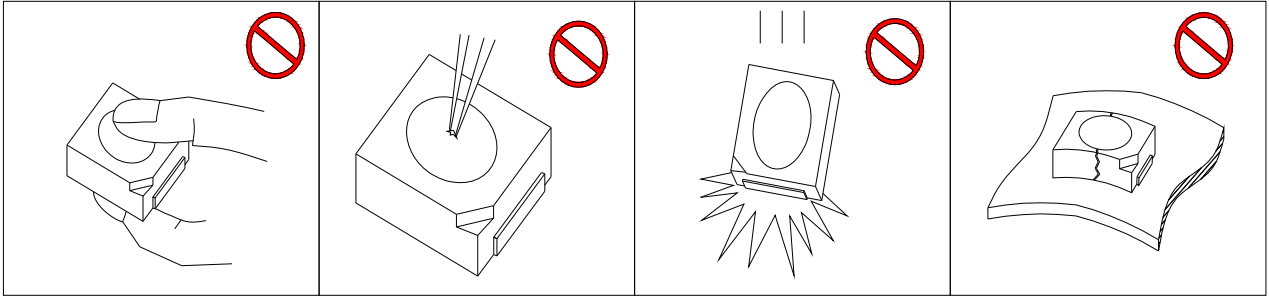
LED

LED

900PPM

900PPM

1500PPM



LED

LED

LED

p»

LED



		±	

p·

p_s

p»

p·² p_s W

60

± 5

24

LED



