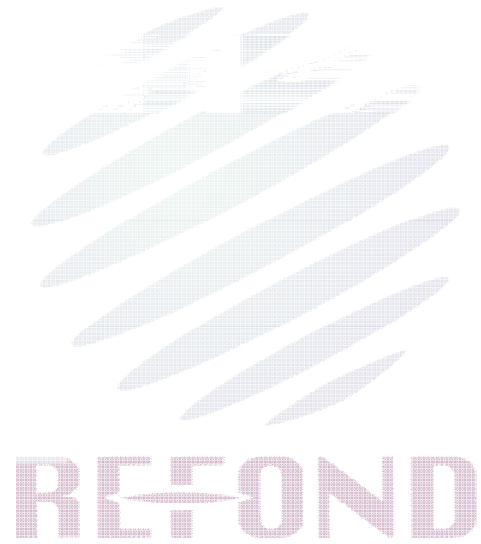
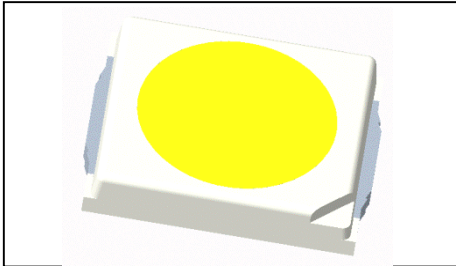
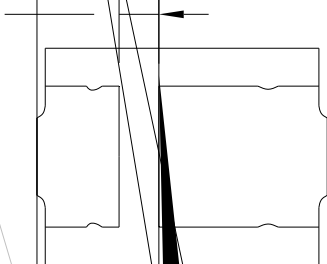
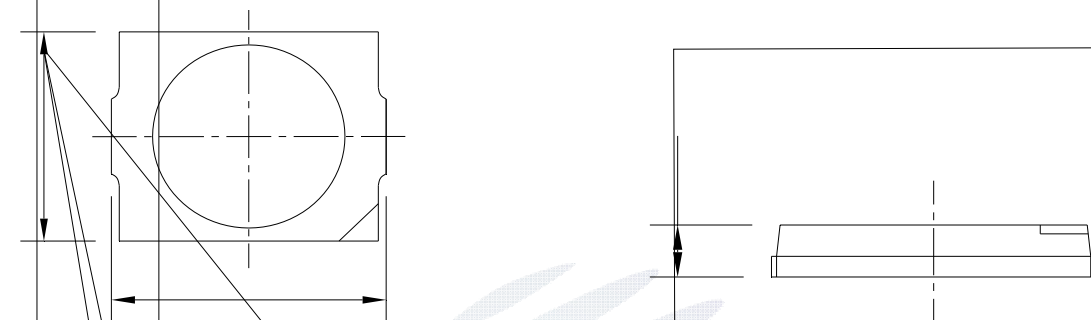




.....	3
General Description .....	3
.....	3
.....	3
.....	4
.....	4
.....	5
.....	6
.....	8
.....	12
.....	12
.....	12
.....	12
.....	13
REFOND .....	13
.....	13
.....	14
.....	15
.....	16
.....	16
.....	18
.....	18

## General Description



REFOND

mm

±0.05mm.

- 1.
- 2.





0.1ms, 1/10.

±0.1V

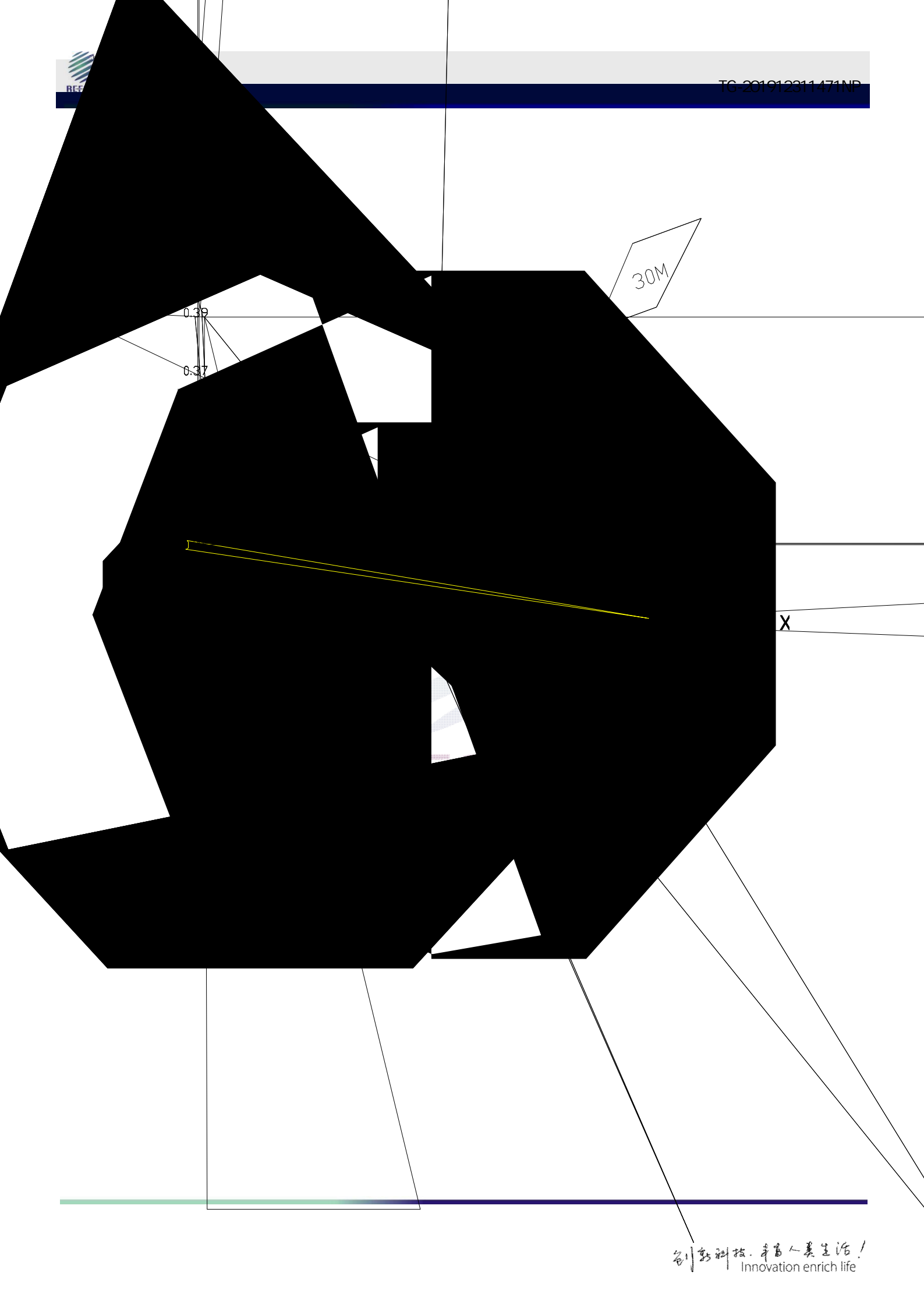
REFOND

REFOND

. LED

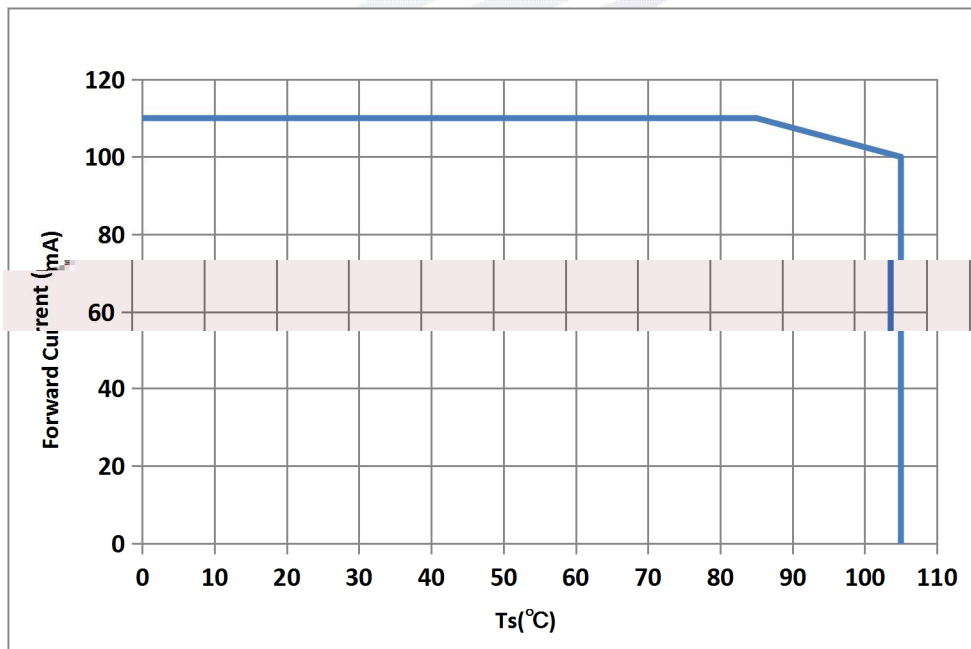
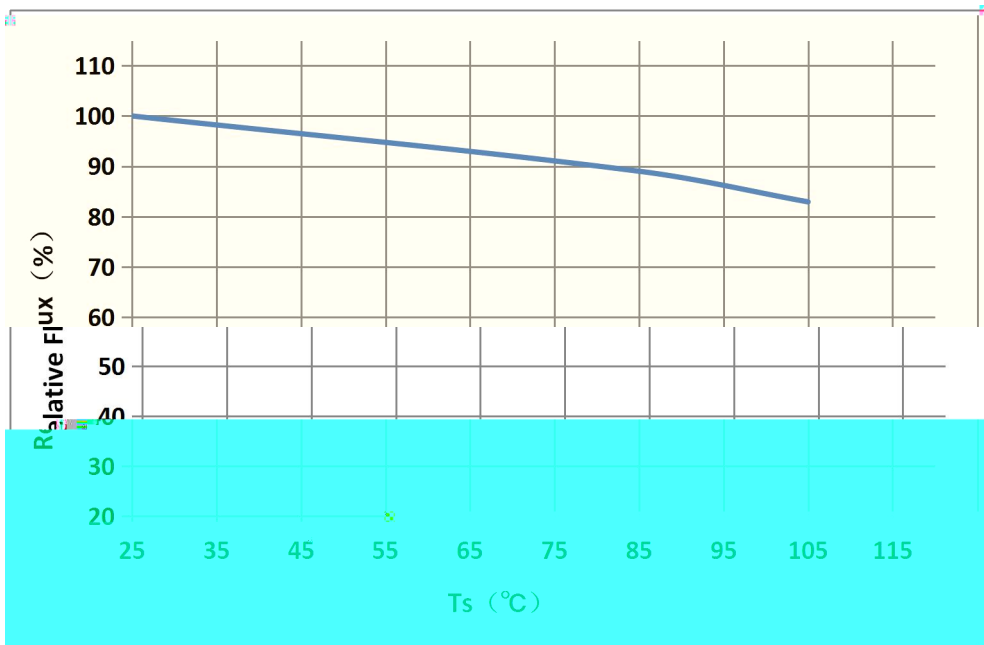
REFOND

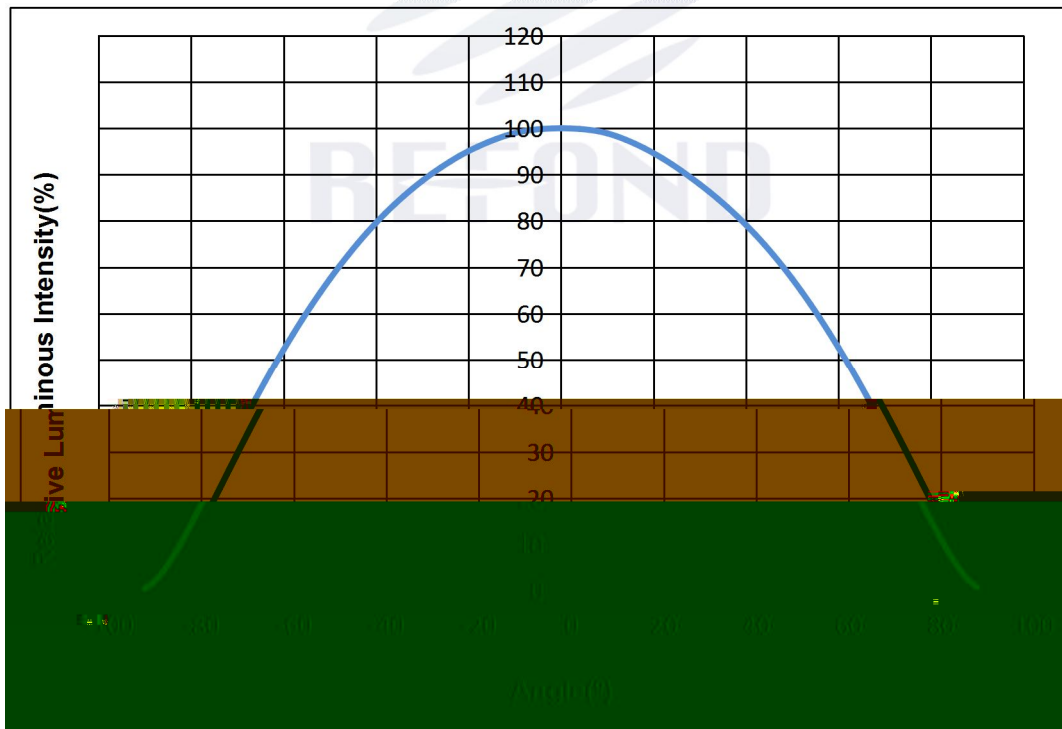
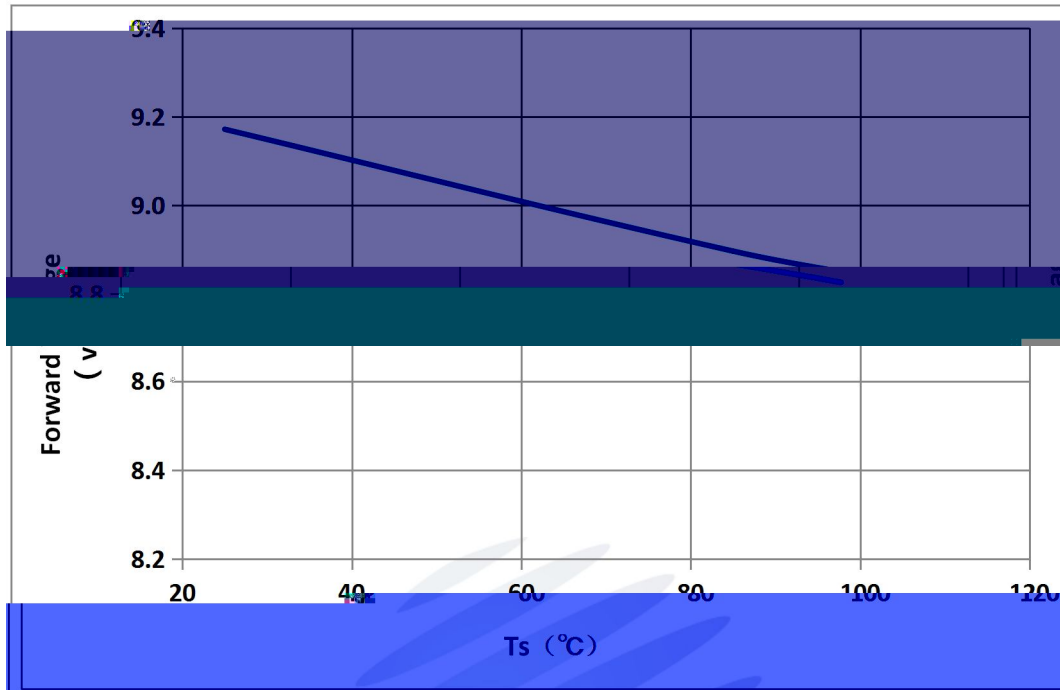
REFOND

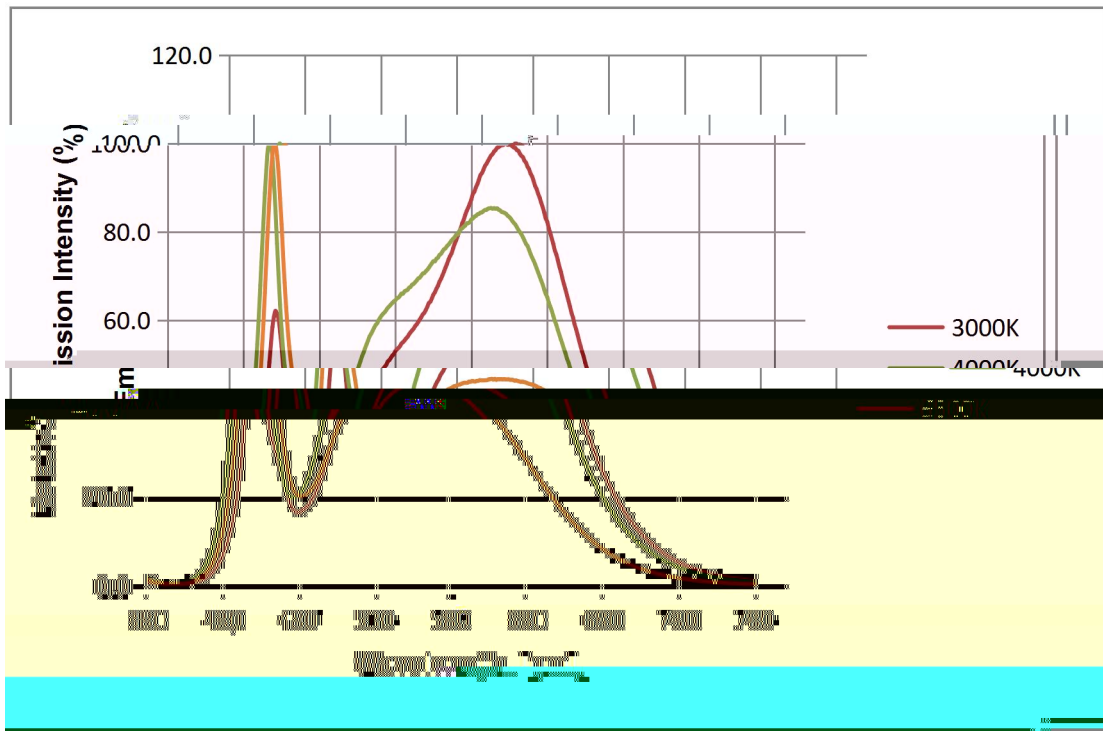




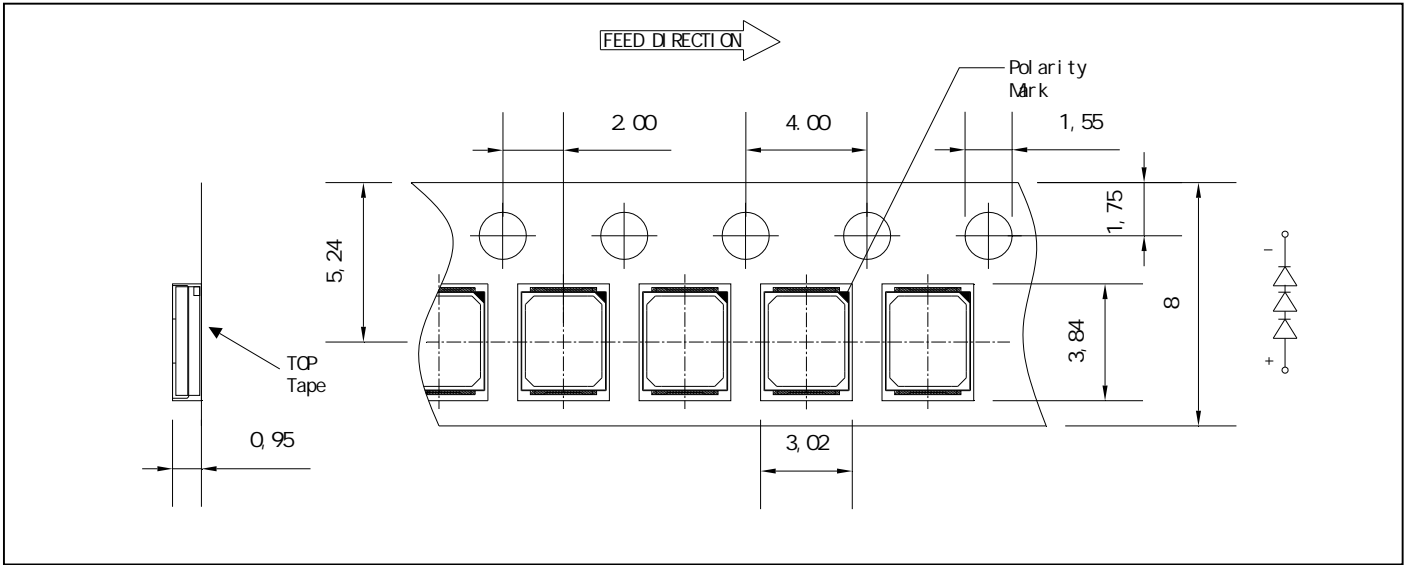






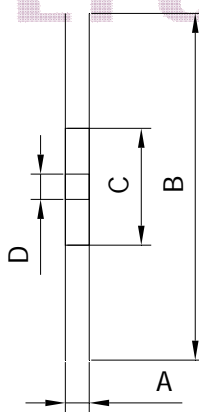
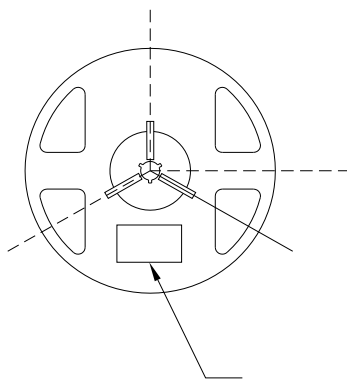


REFOND



REFOND

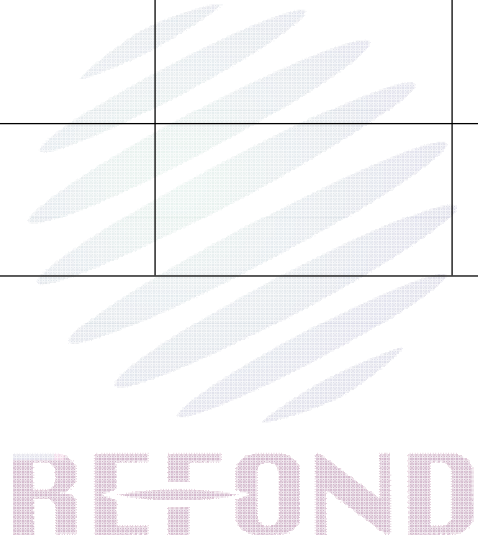
Table 2-1 Title



	±
	±
	±
	±









LED

300 3

LED



(1)

LED

PCB



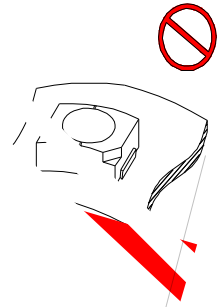
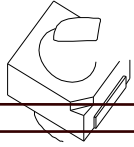
..VQPHQW  
XE3 @D @ @ù Gf%u Q & @ {ðA/¿ / U  
LED

W T<sup>4</sup> 8HE  
Q 445y / ð¿ 37%GJ  
100PPM.





LED



LED


REFOND

60±5

24

LED



